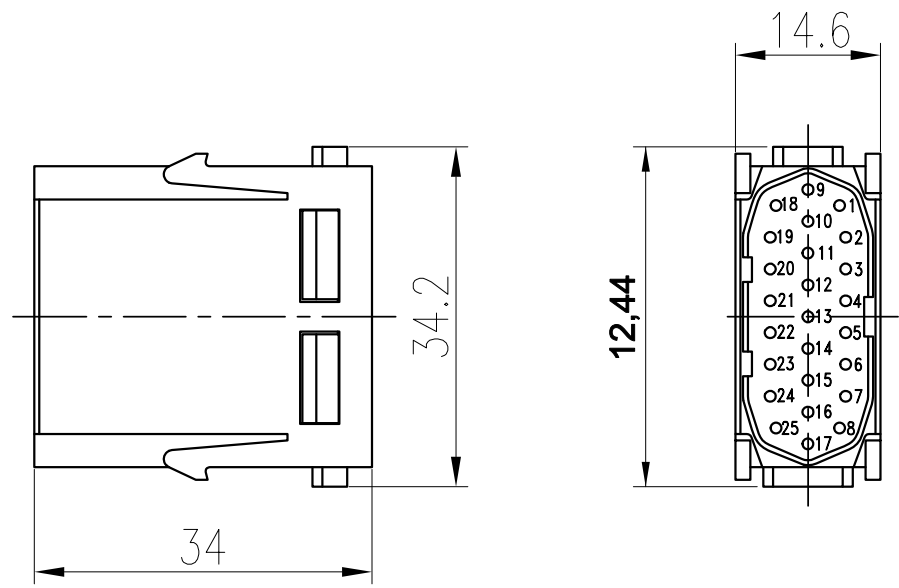


6		7		8	
SYM		ECN		REVISION DATA	
				DESCRIPTION	
				DATE	
				APPROVED	

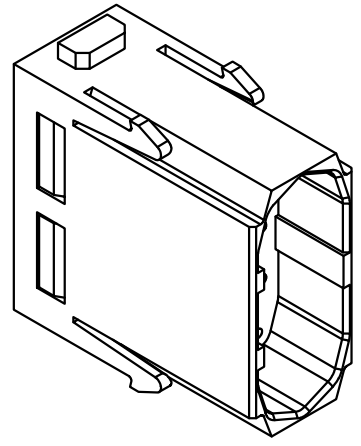



技术参数:
插芯:
插针数: 25
额定电流: 4A
工作电压: 50V
额定耐受脉冲电压: 0.8KV
污染等级: 3
材料: Polycarbonate

Specifications:
Inserts:
Number of contacts: 25
Rated current: 4A
Rated voltage: 50V
Rated impulse voltage: 0.8KV
Pollution degree: 3
Material: Polycarbonate

插针:
接线方式: 冷压连接
材料: 铜合金
表面处理: 镀银
接触电阻: $\leq 3m\Omega$
线径范围: 0.09~0.82mm² (AWG28-18)

Contacts:
Terminal: Crimp terminal
Material: Copper alloy
Surfac: hard-silver plated
Contact resistance: $\leq 3m\Omega$
Crimp terminal
Wire gauge--mm²: 0.09~0.82mm²
Wire gauge--AWG: 28-18



Tolerance		SIGNATURE	DATE	Units	mm	 宁波欧科瑞连接器有限公司 NINGBO OUKERUI CONNECTOR CO.,LTD.		
0~ ≤ 20	± 0.15	DRAW		Size	A4	PART NAME: HZW-HMDS-025-MC		
20~ ≤ 50	± 0.25	DESIGN		Scale		Drawing NO.		REV
50~ ≤ 80	± 0.35	CHECK		Sheet		Material		A
80~ ≤ 120	± 0.50	APPROVE		Proj.	